

**MEM eSET Touchfree Basin mixer without pop-up waste without temperature setting - Chrome**

MEM

ST 010 203 4782



- 200mm projection
- fixed spout
- rectangular, air-enriched flow
- hole diameter 37 mm
- rosette for spout 60 x 60mm
- 1/2" connection
- max. flow 5.7 l/min
- lead-free
- automatic hygiene flush
- suitable for thermal disinfection
- adjustable follow-up time
- high-frequency sensors with self-calibration
- magnetic valve
- 100-240 V AC / 12 V DC, 50-60 Hz, 18 W power supply unit, incl. country-specific adapter set
- This product can help a building meet the requirements of Green Building Rating Systems, e.g. LEED®, BREEAM®, DGNB

**Individual components of this set**

You need the following components for this set



1x 42 766 970 90



1x 13 800 782-00



MEM eSET Touchfree Basin mixer without pop-up waste without temperature setting - Chrome

---

MEM

ST 010 203 4782

MEM eSET Touchfree Basin mixer without pop-up waste without temperature setting - Chrome

MEM

ST 010 203 4782



Fits: IMO, LULU, MADISON, MEM, TARA, CL.1, LISSÉ, VAIA, META, CYO

- automatic hygiene flush
  - suitable for thermal disinfection
  - adjustable follow-up time
  - high-frequency sensors with self-calibration
  - magnetic valve
  - 100-240 V AC / 12 V DC, 50-60 Hz, 18 W power supply unit, incl. country-specific adapter set
- Cannot be combined with basins in conducting materials (e.g. steel, river stone).  
Cannot be combined with basins that have a closing drain.**  
**ATTENTION: Separate terms and conditions for electronic articles are applicable.**

Cannot be combined with basins in conducting materials (e.g. steel, river stone).

Cannot be combined with basins that have a closing drain.

ATTENTION: Separate terms and conditions for electronic articles are applicable.

Required miscellaneous



**eSET Touchfree Basin mixer without temperature setting for combining with free-standing fittings -**

35 742 970 90

Required miscellaneous



**eSET Touchfree Basin mixer without temperature setting for combining with wall-mounted fittings -**

35 743 970 90

- min. recess depth 90 mm
- max. recess depth 125 mm

Recommended miscellaneous

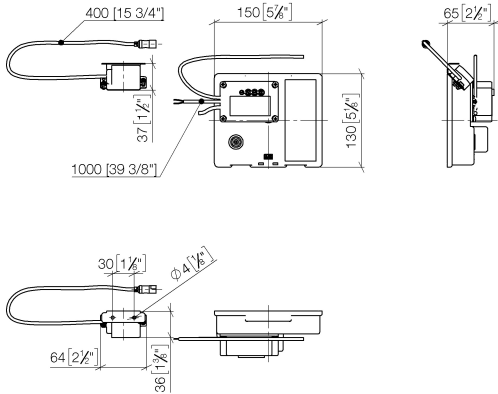
**Extension for Touchfree 500 mm -** 12 765 970 90



**MEM eSET Touchfree Basin mixer without pop-up waste without temperature setting - Chrome**

MEM

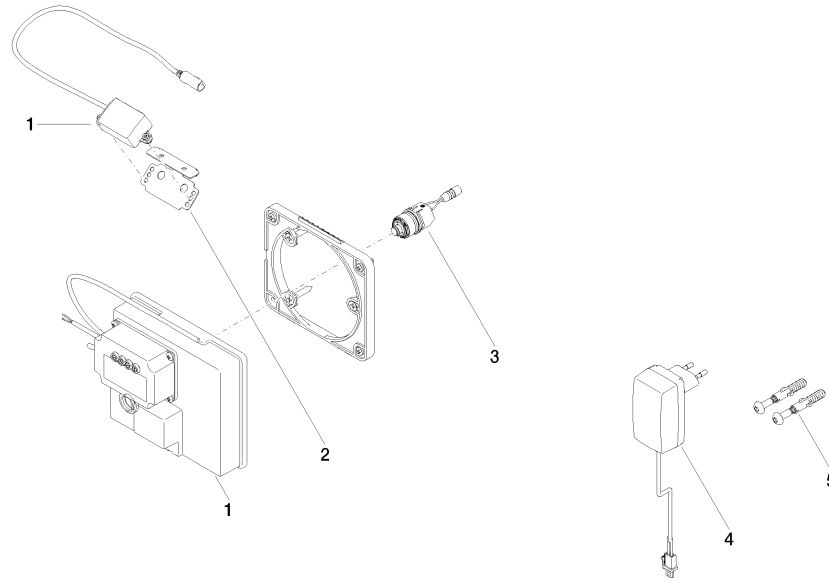
ST 010 203 4782  
mm [inches]



**Certificates**

LGA_29120.	WRAS_1906116.	IAPMO_EGS.	CE000001_eSet_Tou chfree_20171206_D E_signed.	CE000002_eSet_Tou chfree_20171206_E N_signed.
LGA_29119.				

ST 010 203 4782



**Spare parts list**

No.	Item Number	Name	Quantity used	Delivery time
1	90 10 01 177 00 90	electronic accessories	1	2
2	90 17 20 199 00 90	holder	1	2
3	04 30 50 079 00 90	valve	1	2
4	04 10 01 050 00 90	power supply	1	60
5	04 30 31 024 01 90	fixing set	1	2

**MEM eSET Touchfree Basin mixer without pop-up waste without temperature setting - Chrome**

MEM

ST 010 203 4782



- 200mm projection
- fixed spout
- rectangular, air-enriched flow
- hole diameter 37 mm
- rosette 60 x 60 mm
- 1/2" connection
- max. flow 5.7 l/min
- lead-free
- WRAS 2203039
- This product can help a building meet the requirements of Green Building Rating Systems, e.g. LEED®, BREEAM®, DGNB

	Chrome	13 800 782-00
	Brushed Platinum	13 800 782-06
	Platinum	13 800 782-08
	Dark Chrome	13 800 782-19
	Brushed Durabronze (23kt Gold)	13 800 782-28
	Brushed Champagne (22kt Gold)	13 800 782-46
	Champagne (22kt Gold)	13 800 782-47
	Brushed Dark Platinum	13 800 782-99

**Recommended miscellaneous**



**Concealed wall elbow -**

35 085 970 90

- max. recess depth 163 mm
- min. recess depth 90 mm



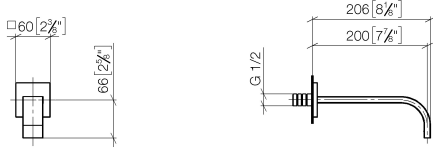
MEM eSET Touchfree Basin mixer without pop-up waste without temperature setting - Chrome

---

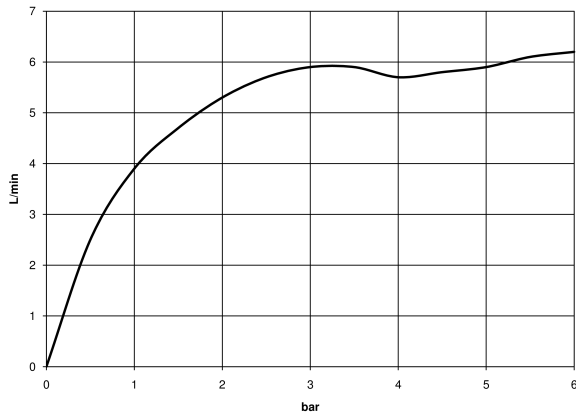
MEM

ST 010 203 4782

ST 010 203 4782  
mm [inches]



**Flow rate chart**

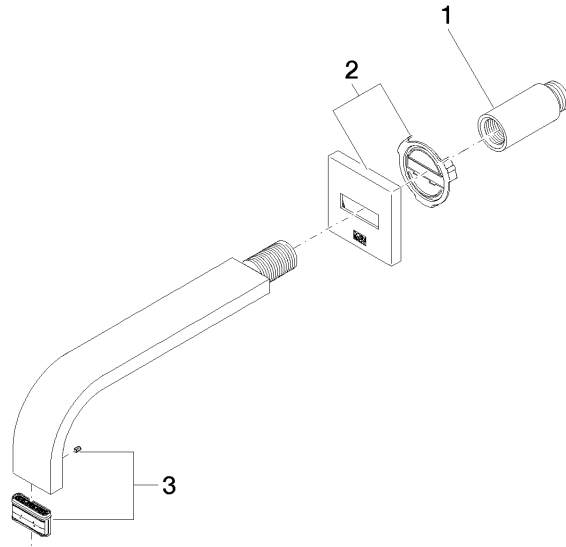


**Certificates**

WRAS\_2203039.



ST 010 203 4782



**Spare parts list**

No.	Item Number	Name	Quantity used	Delivery time
1	09 24 03 081 10 90	extension	1	2
2	90 27 78 035 00-00	rosette	1	10
3	90 29 03 109 00 90	aerator	1	2